

EXPRESS
Lifts Alliance
Group

 **ATRIUM**



THE ESSENCE LIES WITHIN

A WIDE RANGE SETTINGS



↑ **HALF MIRROR,**
at the rear optional.



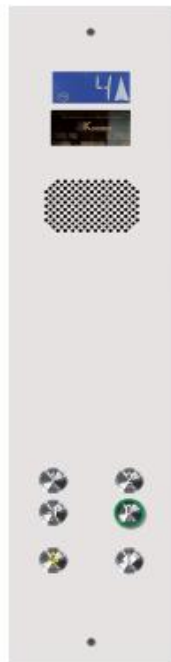
↑ **OPTIONAL HANDRAIL,**
opposite car operating panel or at the rear.



↑ **HALL BUTTON,**
as an option, integrated into the door frame.



← **CAR DIRECTION INDICATORS,**
optional.



↑ **CAR OPERATING PANEL,**
in steel, brushed or white PVC. Outer ring of target button lights up orange when pressed.

↓ **FLAT CEILING,** in white with three low consumption spotlights (four in case of 8p). LED lighting and automatic car lighting switch-off optional.

In 13 passenger car, flat ceiling with 8 spots.



↓ **CAR PANELS,**
in sand, melange or cream skinplate, or in brushed stainless steel



SAND



MELANGE



CREAM



BRUSHED STAINLESS STEEL



← **RUBBER FLOORING,**
in Optima brown. Can be supplied with recess for other types of flooring to be installed on site.



↑ **HALL POSITION INDICATOR**
OPTIONAL



TECHNICAL SPECIFICATIONS

TRACTION EQUIPMENT

- Gearless sealed machine and permanent magnet motor
- Traction by means of flat belts
- 2:1 configuration with lower suspension

CONTROL

- Closed loop, variable frequency drive

CONTROLLER

- Modular microprocessor control system, (MCS220), combined with an advanced variable frequency, variable voltage drive.
- Located in the frame of top floor landing door. As an option, it can be installed at a distance of up to 20 metres.
- Two-way communication and remote intervention system.

OPERATION

- Simple automatic or down collective.
- Up to 2 elevators in a group.

TYPES OF DOORS

- Automatic, telescopic doors
- Equipped with a variable speed, digital control system, self-cleaning slotted sill and aluminium door track with protected roller system.
- Stainless steel or prime finish for subsequent painting.

ENTRANCES

- One or two entrances
- Maximum rise: 9 stops, 27 metres

LOAD CAPACITY

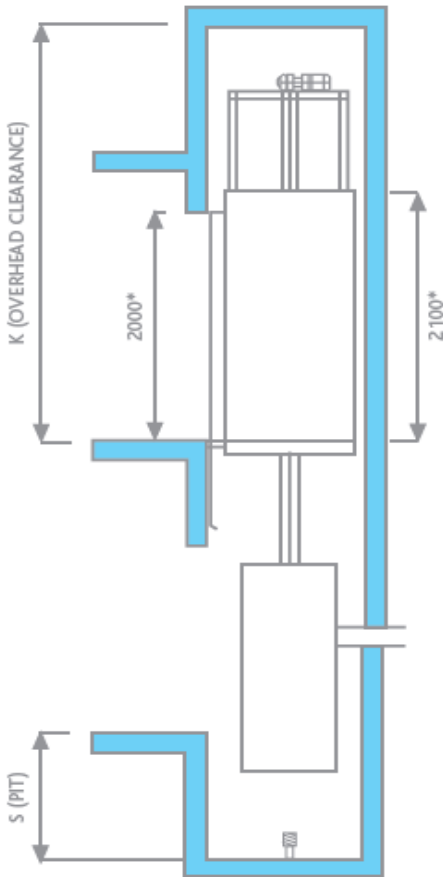
- 4 passengers (320 kg)
to 13 passengers (1000 kg)

RATED SPEED

- 1 m/s

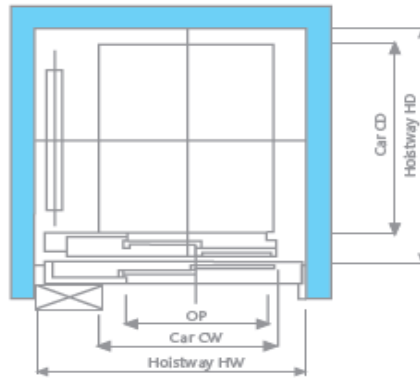


ELEVATION

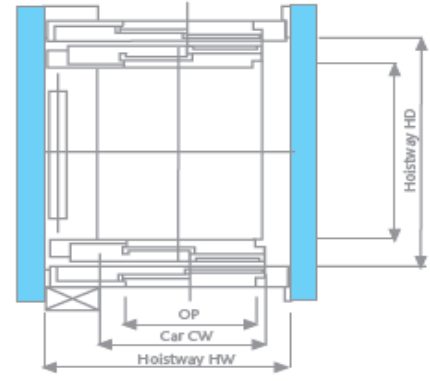


* Please ask for the possibility of 2100 mm height doors. Dimensions may vary from the ones published in this brochure.

FLOOR PLAN one entrance, telescopic door



FLOOR PLAN two entrances, telescopic door



Load capacity	Car CWxCD	Hoistway HWxHD		Door opening OP
320 Kg (4p)	840x1050	1 entrance	1350x1300	700
		2 entrances 180°	1350x1400	Telescopic
400 Kg (5p)	840x1200	1 entrance	1350x1450	700
		2 entrances 180°	1350x1550	Telescopic
450 Kg (6p)	1000x1250	1 entrance	1550x1500	800
		2 entrances 180°	1550x1600	Telescopic
525 Kg (7p)	1000x1300	1 entrance	1650x1500	900
		2 entrances 180°	1650x1600	Telescopic
630 Kg (8p)	1100x1400	1 entrance	1550x1550	800
		2 entrances 180°	1550x1650	Telescopic
1000 Kg (13p) Deep car	1100x2100	1 entrance	1650x1550	900
		2 entrances 180°	1650x1650	Telescopic
630 Kg (8p)	1100x1400	1 entrance	1600x1650	800
		2 entrances 180°	1600x1750	Telescopic
630 Kg (8p)	1100x1400	1 entrance	1650x1650	900
		2 entrances 180°	1650x1750	Telescopic
1000 Kg (13p) Deep car	1100x2100	1 entrance	1650x2400	900
		2 entrances 180°	1650x2500	Telescopic

Overhead clearance K=3300 with 2100 car height; 3400 with 2200 car height; Pit S=1000
Dimensions in millimetres - Doors mounted on landing



TECHNOLOGY

The **Atrium elevator** uses the most advanced technology and doesn't need a machine room. The gearless machine with permanent magnets and a radial design reduces the space required for the machine mounting structure by 70%.

COMFORT

Comfort is the defining characteristic of this ride experience. The technology used by the **Atrium elevator** results in a quieter and smoother ride, with perfect levelling and outstanding stopping accuracy.

ENVIRONMENT

We are fully committed to protecting the environment and use 100% recyclable components, such as the traction belts and packaging materials. Neither the belts nor the machine require any lubrication, thus eliminating the use of polluting materials. Our elevators also have the highest rating possible in energy efficiency under the VDI4707 standards.

SAFETY

One of the fundamental pillars of our business philosophy is the safety of both elevator users and maintenance technicians. For this reason, the **Atrium elevator** has incorporated advanced safety devices and systems such as the automatic rescue system and the two-way communication system.



MAXIMUM ENERGY EFFICIENCY RATING IN ALL CATEGORIES

Our elevators have obtained the maximum rating in energy efficiency according to the VDI4707 standard for all five usage intensity categories. AAAAA



Please contact us at:



Tel: 0116 225 2100

www.elagroup.co.uk

www.movemanskg.co.uk



123 Abbey Lane
Leicester LE4 5QX
www.elagroup.co.uk

Any part of this brochure may be modified without prior notice if necessary